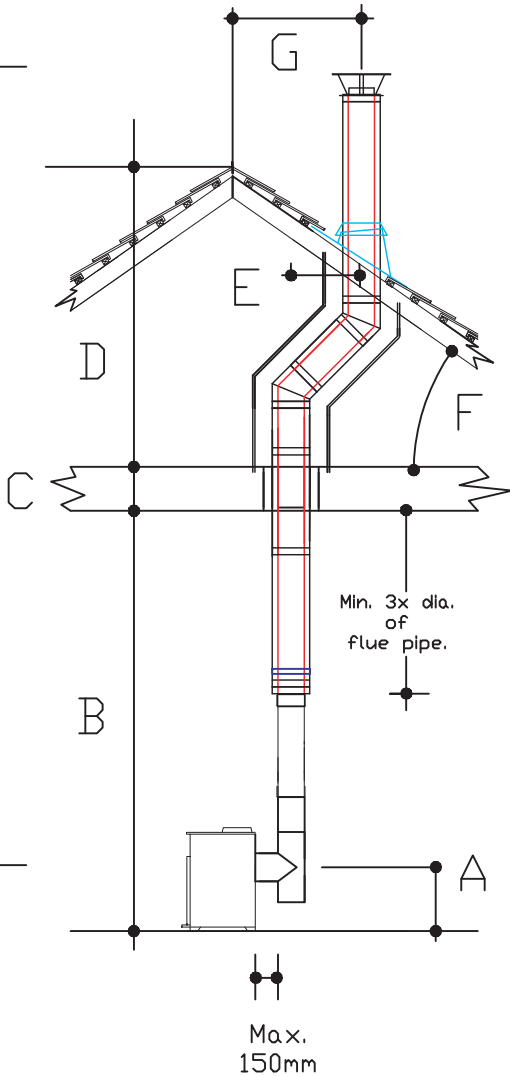


Flue height must be at least 4.5m



MAKE/MODEL/FUEL  
OF APPLIANCE

DIA.

A

B

C

D

E   
If Req'd

F   
PITCH

G

PROJECT NAME

CONTACT NAME

CONTACT NUMBER

CUSTOMER NAME



SMARTHEAT LIMITED  
EDGEWORTHSTOWN  
LONGFORD  
PHONE 043 6672034  
EMAIL INFO@SMARTHEAT.IE