

MAKE/MODEL/FUEL
OF APPLIANCE

DIA.

A

B

C

D

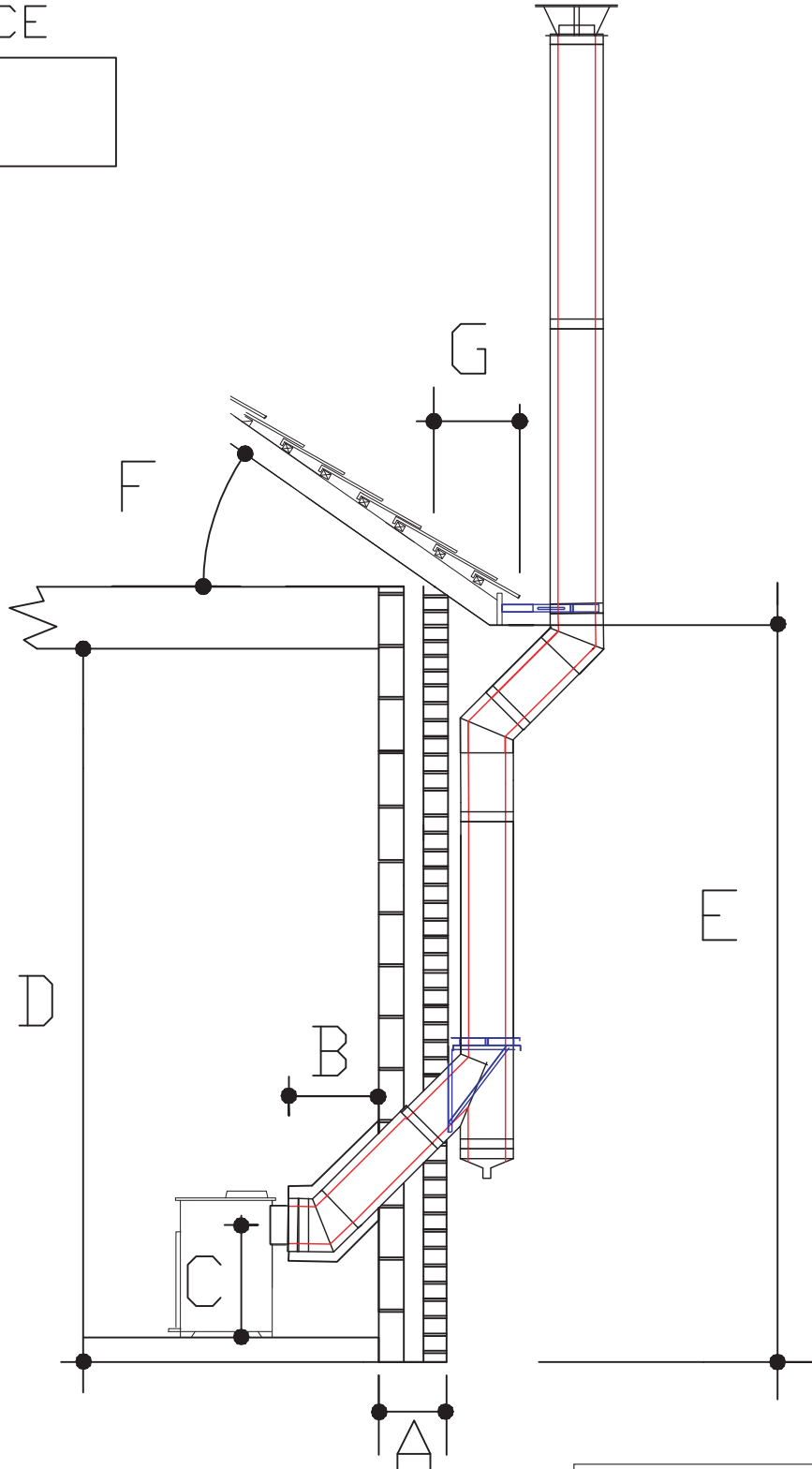
E

F

PITCH

G

If Req'd



PROJECT NAME

CONTACT NAME

CONTACT NUMBER

CUSTOMER NAME



Smartheat
Sustainable Heating Solutions

SMARTHEAT LIMITED
EDGEWORTHSTOWN
LONGFORD
PHONE 043 6672034
EMAIL INFO@SMARTHEAT.IE